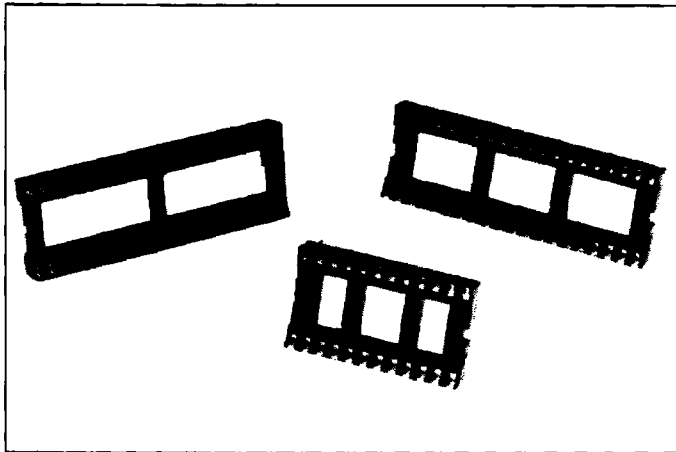


PRODUCTION DIP



Dual Wipe Sockets

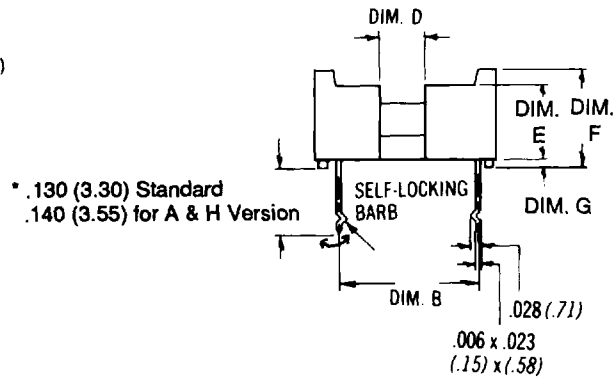
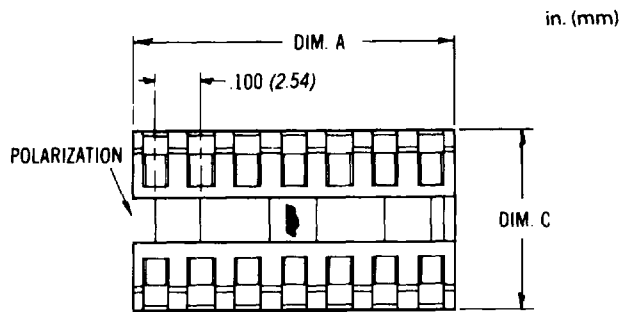
ICO/CICO/ICB Series



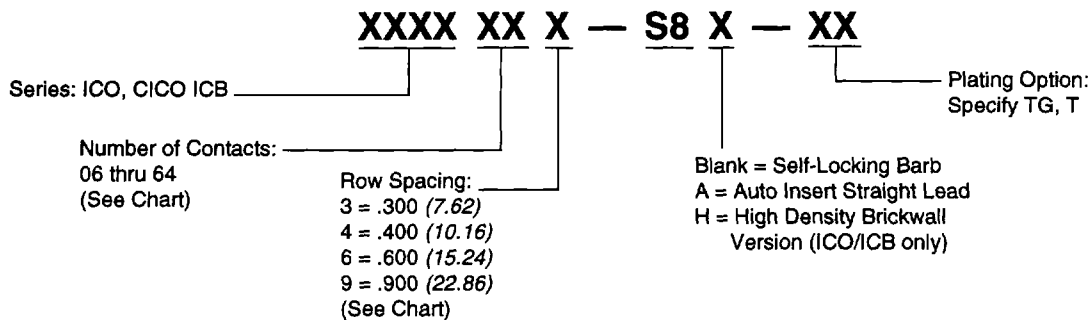
- "Flux Fighter" closed bottom design prevents solder wicking and flux entrapment
- Dual leaf, high compression contact provides gas-tight performance
- Automatic insertion option compatible with most insertion equipment
- Anti-overstress design prevents contact spring damage
- Side and end stackable
- CICO version offers economical alternative

SOCKETS

Description	Dimension E	Dimension F	Dimension G
ICO-XXX-S8X-XX	.160 (4.06)	.195 (4.95)	.015 (.38)
CICO-XXX-S8X-XX	.150 (3.81)	.201 (5.11)	.012 (.30)
ICB-XXX-S8X-XX	.160 (4.06)	.195 (4.95)	.015 (.38)



How To Order ICO/CICO/ICB Series



Part Numbers

Number of Contacts	Description ICO/ICB Sockets	Description CICO Sockets	Dimension A	Dimension B	Dimension C (Maximum)	Dimension D (ICO/ICB Only)
6	ICX-063-S8X-X	*CICO-063-S8A-X	.295 (7.49)	.300 (7.62)	.400 (10.16)	.100 (2.54)
8	ICX-083-S8X-X	CICO-083-S8X-X	.395 (10.03)	.300 (7.62)	.400 (10.16)	.100 (2.54)
14	ICX-143-S8X-X	CICO-143-S8X-X	.695 (17.65)	.300 (7.62)	.400 (10.16)	.100 (2.54)
16	ICX-163-S8X-X	CICO-163-S8X-X	.795 (20.19)	.300 (7.62)	.400 (10.16)	.100 (2.54)
18	ICX-183-S8X-X	CICO-183-S8X-X	.895 (22.73)	.300 (7.62)	.400 (10.16)	.100 (2.54)
20	ICX-203-S8X-X	CICO-203-S8X-X	.995 (25.27)	.300 (7.62)	.400 (10.16)	.100 (2.54)
22	ICX-223-S8X-X	CICO-223-S8X-X	1.095 (27.81)	.300 (7.62)	.400 (10.16)	.100 (2.54)
24	ICX-243-S8X-X	CICO-243-S8X-X	1.195 (30.35)	.300 (7.62)	.400 (10.16)	.100 (2.54)
24	ICX-246-S8X-X	CICO-246-S8X-X	1.195 (30.35)	.600 (15.24)	.700 (17.78)	.400 (10.16)
28	Not Available	CICO-283-S8X-X	1.395 (35.43)	.300 (7.62)	.400 (10.16)	N/A
28	ICX-286-S8X-X	CICO-286-S8X-X	1.395 (35.43)	.600 (15.24)	.700 (17.78)	.400 (10.16)
32	ICX-326-S8X-X	CICO-326-S8X-X	1.595 (40.51)	.600 (15.24)	.700 (17.78)	.400 (10.16)
40	ICX-406-S8X-X	CICO-406-S8X-X	1.995 (50.67)	.600 (15.24)	.700 (17.78)	.400 (10.16)
42	ICX-426-S8X-X	CICO-426-S8X-X	2.095 (53.21)	.600 (15.24)	.700 (17.78)	.400 (10.16)
48	ICX-486-S8X-X	CICO-486-S8X-X	2.395 (60.83)	.600 (15.24)	.700 (17.78)	.400 (10.16)
50	ICX-509-S8X-X	Not Available	2.495 (63.37)	.900 (22.86)	1.000 (25.40)	.700 (17.78)
64	ICX-649-S8X-X	Not Available	3.195 (81.15)	.900 (22.86)	1.000 (25.40)	.700 (17.78)

*Available with auto insert straight lead only.

Materials:

Body: Black polyester, glass-filled

Contacts:

ICO/CICO: Phosphor Bronze

ICB: Beryllium Copper

Acceptable Pin Sizes:

Diameter: .008" - .015" (.20 - .35)

Length: .100" - .130" (2.54-3.30)

Mounting Information:

PCB Hole: .040" ± .002" (1.02 ± .05)

Location: IC lead and socket leads are coincident

Agency Approvals:



Performance Characteristics:

Insertion Force: (ICO) 7.0 oz* per contact

Withdrawal Force: (ICO) 3.5 oz* per contact

*Average of 2nd, 3rd, and 4th cycles using .012" flat pin.

Capacitance: 1 picofarad maximum

Insulation Resistance: 5000 megohms minimum

Dielectric Withstanding Voltage: 500 volts AC

Current Rating: 1 Ampere

Flammability: UL 94V-0

Temperature Range:

ICO/CICO: -65°C to + 105°C

ICB: -65°C to + 125°C

Plating Description:

Suffix: TG = 10 μinch (.254 μm) minimum Gold on contact area.
100 μinch (2.54 μm) minimum Tin on terminal area.

ICO: T = 30 μinch (.762 μm) minimum hot Tin dip and wipe

ICB: T = 200 μinch (5.08 μm) minimum Tin/Lead in contact area.
100 μinch (2.54 μm) minimum Tin/Lead on terminal area.

Above options include: 50 μinch (1.27 μm) minimum Nickel underplate.

CICO: T = 80 μinch (2.03 μm) minimum Tin/Lead over Nickel flash.

Note: CICO sockets available in "T" plating only.